

MURPHYMATIC® Engine Throttle Controller

AT-04052B
Revised 04-04
Replaces AT-98113B
Catalog Section 40
(00-02-0567)



Model AT03069

- Automatically adjusts engine speed to meet demands of pressure, level, load and temperature.
- Speed changes made slowly and smoothly.
- Saves fuel, engine wear, horsepower and labor.
- Perfect for warm-up and cool-down on automated systems.
- One model for both 12 and 24 VDC systems.

Description

The AT03069 is a completely reliable heavy duty device developed specifically to automatically control engine speed to meet system demand. Low current, high torque, solid state switching and electronic clutch make it ideal for all automatic and semiautomatic engine systems. Used with the appropriate Murphy SWICHGAGE®, near constant pressure, level and load can be maintained. Check with our engineers for help with other applications where speed control can improve your system.

Applications

Pressure

- City Water Systems.
- Water Flood Injection.
- Sprinkler Lateral Changes.
- Make-up if a “Gang Pump” stops.
- Multiple Hose-reel Irrigation Systems.

Level

- Water or oil storage tanks.
- Waterflood tanks.
- Sewer disposal systems.
- Flood control catch basins.

Temperature

- Multi-engine cooling systems.
- Air conditioned chilled water systems.

Engine load

Empty or fill reservoirs with a lower horsepower engine—fast when head is high—slow when head is low.

Specifications

Voltage: 11-28 VDC negative ground.

Maximum Current: 500 mA (1/2 amp).

Standby Current: Approx. 7 mA.

Increase and Decrease: Inputs float at approx. 8.4 VDC. Grounding inputs causes 8-18 mA of current to flow from either.

Torque: 25 inch pounds.

Sealed limit switches: Factory adjusted, controls maximum travel.

Linkage adjustment on lever arm—5 holes:

Adjusts travel: 1-3/16 in. (30 mm); 1-11/16 in. (43 mm); 2 in. (51 mm); 2-1/4 in. (57 mm) approximately.

Travel Time: 11 to 20 seconds depending on the voltage and force applied.

Dimensions: See reverse side.

Net Weight: 5 lb. (2.27 kg)

Features

The AT03069 can enhance features of our SELECTRONIC® Micro-Controller units by allowing features such as:

- Warm-up RPM Set point.
- Minimum RPM Set point.
- Maximum RPM Set point.
- Preset Operating RPM Set point.
- Auto Throttling To Match Flows (as needed in flood control applications).
- Maintaining System Pressure (as needed in booster station application).
- Adjustable Rate Of Change In RPM (allowing fine tuning of overall system).

For more information, recommendations and quotations contact our engineering dept.

Warranty

A limited warranty on materials and workmanship is given with this FW Murphy product. A copy of the warranty may be viewed or printed by going to www.fwmurphy.com/support/warranty.htm

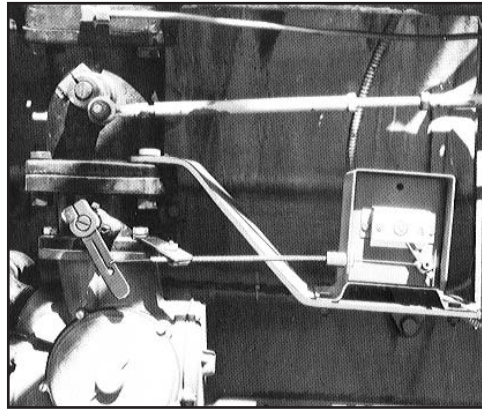


Operation

A Murphy SWICHGAGE®* constantly monitors pressure, level, temperature or load. Adjustable high and low contacts on SWICHGAGE® are set slightly above and below desired operating point. When demand changes, pointer touches appropriate high or low contact and signals speed change.

AT03069 controller responds only so long as contact is made. The controller stops immediately when contacts separate. Slow, smooth action prevents "hunting" or "surging" on normal applications.

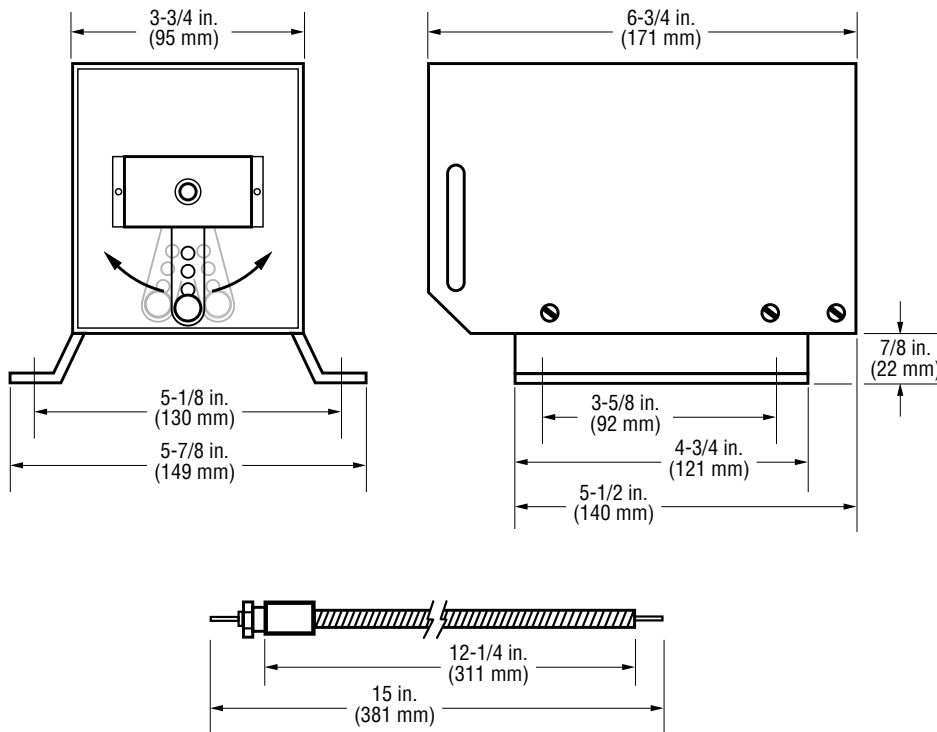
*Mercury tube or snap-action switches are not suitable for this type control. For more information, recommendations and quotations contact our engineering dept.



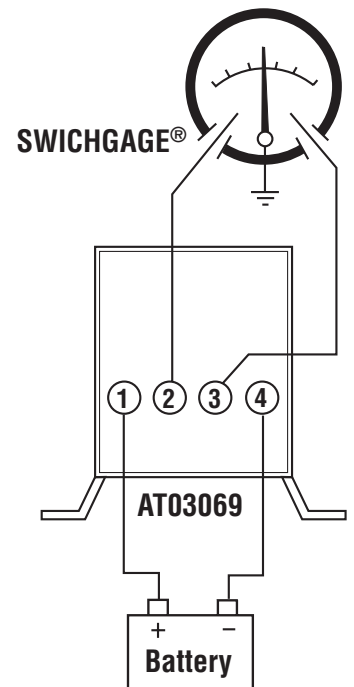
How to Order

AT03069

Dimensions



Typical Wiring



MURPHY®

FW Murphy
P.O. Box 470248
Tulsa, Oklahoma 74147 USA
+1 918 317 4100
fax +1 918 317 4266
e-mail sales@fwmurphy.com
www.fwmurphy.com

CONTROL SYSTEMS & SERVICES DIVISION
P.O. Box 1819; Rosenberg, Texas 77471; USA
+1 281 633 4500 fax +1 281 633 4588
e-mail sales@fwmurphy.com

MURPHY DE MEXICO, S.A. DE C.V.
Bld. Antonio Rocha Cordero 300, Fracción del Aguaje
San Luis Potosí, S.L.P.; México 78384
+52 444 8206264 fax +52 444 8206336
Villahermosa Office +52 993 3162117
e-mail ventas@murphymex.com.mx
www.murphymex.com.mx

FRANK W. MURPHY, LTD.
Church Rd.; Laverstock, Salisbury SP1 1QZ; U.K.
+44 1722 410055 fax +44 1722 410088
e-mail sales@fwmurphy.co.uk
www.fwmurphy.co.uk

MURPHY SWITCH OF CALIFORNIA
41343 12th Street West
Palmdale, California 93551-1442; USA
+1 661 272 4700 fax +1 661 947 7570
e-mail sales@murphyswitch.com
www.murphyswitch.com

MACQUARRIE CORPORATION
1620 Hume Highway
Campbellfield, Vic 3061; Australia
+61 3 9358 5555 fax +61 3 9358 5558
e-mail murphy@macquarrie.com.au



In order to consistently bring you the highest quality, full featured products, we reserve the right to change our specifications and designs at any time.