

Selectronic® Flasher Alarm Light and Mini-Siren

TL-8904B
Revised 08-06
Catalog Section 30
(00-02-0128)



TL7 and SAH Series

- High Visibility Flashing Red Alarm Light or Audible Alarm
- 12 VDC or 24 VDC
- Panel Mount
- All Electronic

Description

The Model TL7 is a panel mounted flashing alarm light and audible alarm driver. The TL7 helps protect the Murphy Switchgag contacts from the very high inrush current of the lamp. It is available in 12 or 24 VDC for negative ground systems. The SAH Mini-Siren provides an audible alarm when fault conditions are detected by a Switchgag instrument. It can be panel mounted and operates on 6–28 VDC.

Application

The TL7 Flasher/Light is used as a warning device on various types of industrial and mobile equipment. The Mini-Siren will give an audible warning when the TL7 operates, or it can be wired directly to the Switchgag contacts for audible only alarm.

Features: TL7

- Red polycarbonate lens
- 12 VDC or 24 VDC negative ground (specify voltage)
- Tin plated male push-on type terminals
- SAH terminal designed to drive piezo electric audible alarm rated 20 mA @ 28 VDC such as Murphy SAH Series Mini-Siren

Specifications: TL7

Power Requirements

- Voltage: 12 or 24 VDC, negative ground (specify voltage).
- Current:
 - Sensor switch < 60 mA
 - 12 VDC, 360 mA with lamp on
 - 24 VDC, 200 mA with lamp on
 - 12 or 24VDC, 5 mA standby, lamp off

Outputs (see replacement lamps)

Lamp output: 120 mA @ 14.4 VDC
SAH terminal: 20 mA @ 28 VDC resistive

Enclosure

Red polycarbonate lens with aluminum retaining nut.

Temperature Range

-40°F to 165°F (-40°C to 74°C).

Terminal Connections

Four tin plated 1/32 x 1/4 inch (0.8 x 6 mm) male push-on type terminal.

Mounting Hole: 1-1/8 in. (29 mm) diameter.

Maximum Panel Thickness: 1/4 in. (6 mm).

Specifications: SAH

Type: PIEZO electric transducer.

Operating Voltage: 6–28 VDC.

Output Level: at 28 VDC 1 meter, 90± 5 dB.

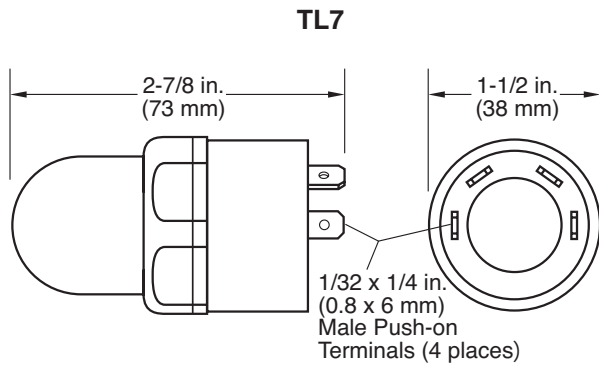
Current Drain: at 28 VDC, 20 mA MAX.

Mounting Hole: 1-1/8 in. (29 mm) diameter.

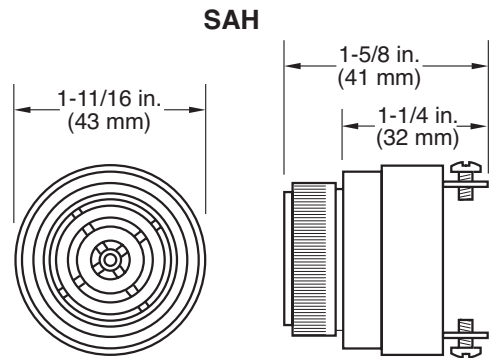
Maximum Panel Thickness: 1/8 in. (3 mm).



Dimensions



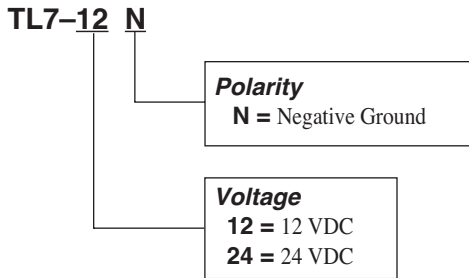
Mounting Hole: 1-1/8 in. (29 mm) diameter
Maximum Panel Thickness: 1/4 in. (6 mm)



Mounting Hole: 1-1/8 in. (29 mm) diameter
Maximum Panel Thickness: 1/8 in. (3 mm)

How to Order

When ordering a TL7, voltage and polarity must be specified (see the diagram below):



Replacement Lamps for TL7

Voltage	Lamps
12 VDC	00-00-0029 #1815 or #53 type
24 VDC	00-00-0924 #1829 or #1820 type

To order the SAH Mini-siren specify **SAH**.

Warranty

A limited warranty on materials and workmanship is given with this FW Murphy product. A copy of the warranty may be viewed or printed by going to www.fwmurphy.com/support/warranty.htm

Typical Wiring Diagram

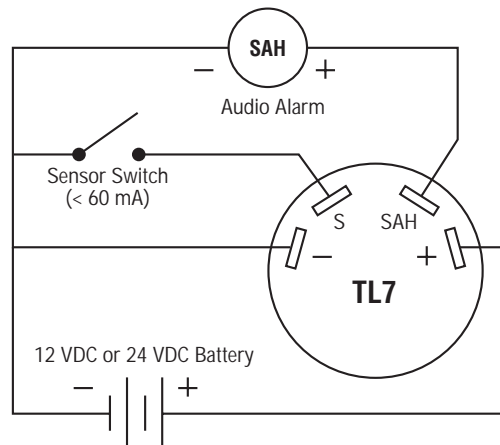
WARNING

Before beginning installation of this Murphy product:

- ✓ Disconnect ALL electrical power to the machine.
- ✓ Make sure the machine CANNOT operate during installation.
- ✓ Follow all safety warnings of the machine manufacturer.
- ✓ Read and follow all installation instructions.

Below is a typical circuit diagram for the TL7 Flasher/Light and SAH Mini-Siren. When the switch closes the lamp will flash and the optional Mini-Siren will pulse at the same frequency.

NOTE: typical wiring with negative ground. Although designed to be used with Murphy Switchgag, the TL7 can be used with any dry contact type switch.



MURPHY
www.fwmurphy.com

918.317.4100 Email: sales@fwmurphy.com

In order to consistently bring you the highest quality, full featured products, we reserve the right to change our specifications and designs at any time. MURPHY, the Murphy logo, and Selectronic® are registered and/or common law trademarks of Murphy Industries, Inc. This document, including textual matter and illustrations, is copy-right protected by Murphy Industries, Inc., with all rights reserved. (c) 2006 Murphy Industries, Inc.

Printed in U.S.A. 0689774B

In order to consistently bring you the highest quality, full featured products, we reserve the right to change our specifications and designs at any time.